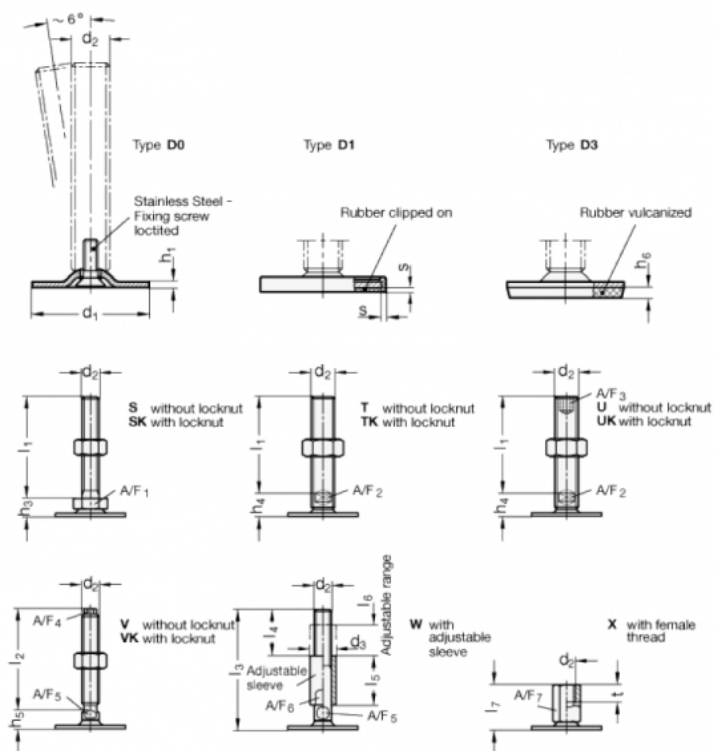


Article number: 204140M16150D1T
 Description: E+G levelling foot
 GN 41-40-M16-150-D1-T
 Note: T Without nut, Wrench flat at the bottom

Measures



A/F2 = 12
 d1 = 40
 d2 = M16
 h1 = 2
 h4 = 17
 h6 =
 l1 = 150
 s = 1.5